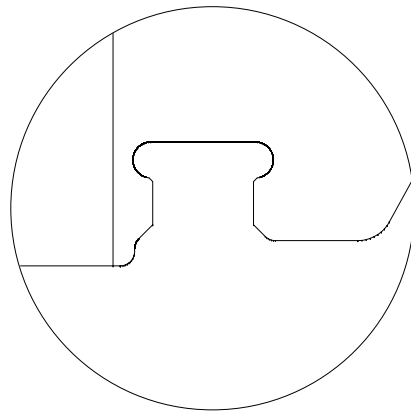
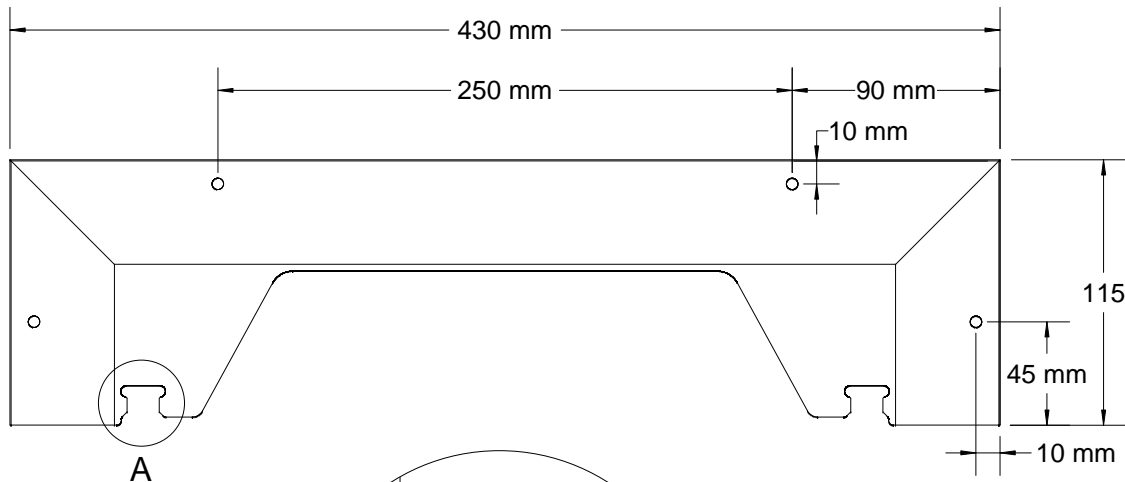
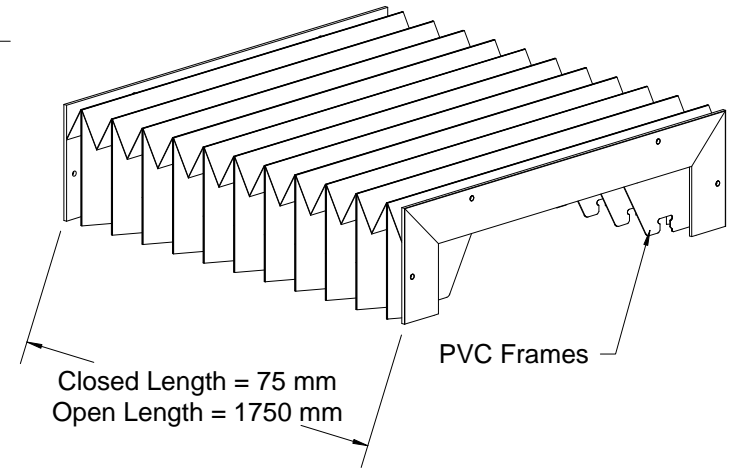


NO.	DESCRIPTION OF CHANGE	SCO	DATE	BY
	NEW ISSUE		05/22/14	DSE



Detail A



TOLERANCES UNLESS OTHERWISE SPECIFIED			
FRACTIONS ± 1/64	DECIMALS: .X ± .1		.XXX ± .005
ANGLES ± 1/2°	.XX ± .01		.XXXX ± .001
DO NOT SCALE DRAWING			
DRAWN	DSE	SCALE	NTS
ENG. MGR.		ENG. CHKD.	
ENG. MGR.		PRODN. APPD.	
MAT'L			
MAT'L SPEC. NO.			
FINISH		PROD.	

THIS DOCUMENT IS THE PROPERTY OF RICHARDSON ELECTRONICS, LTD. AND SHALL NOT BE COPIED, REPRODUCED, USED IN THE MANUFACTURE OR SALE OF APPARATUS OR DISCLOSED TO OTHERS WITHOUT PERMISSION.

Richardson Electronics, Ltd.

**X RAIL BELLOW  
REPLACES BYSTRONIC'S  
P/N 1-09451**

NO. RBB451/15BY

REV. — 0