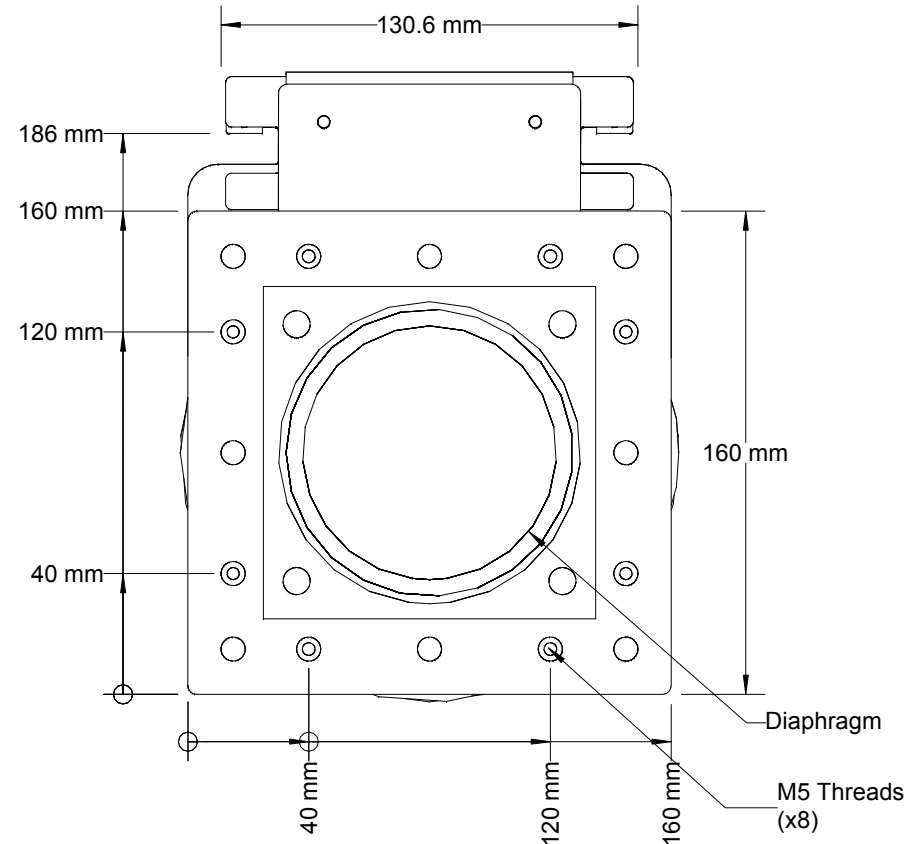
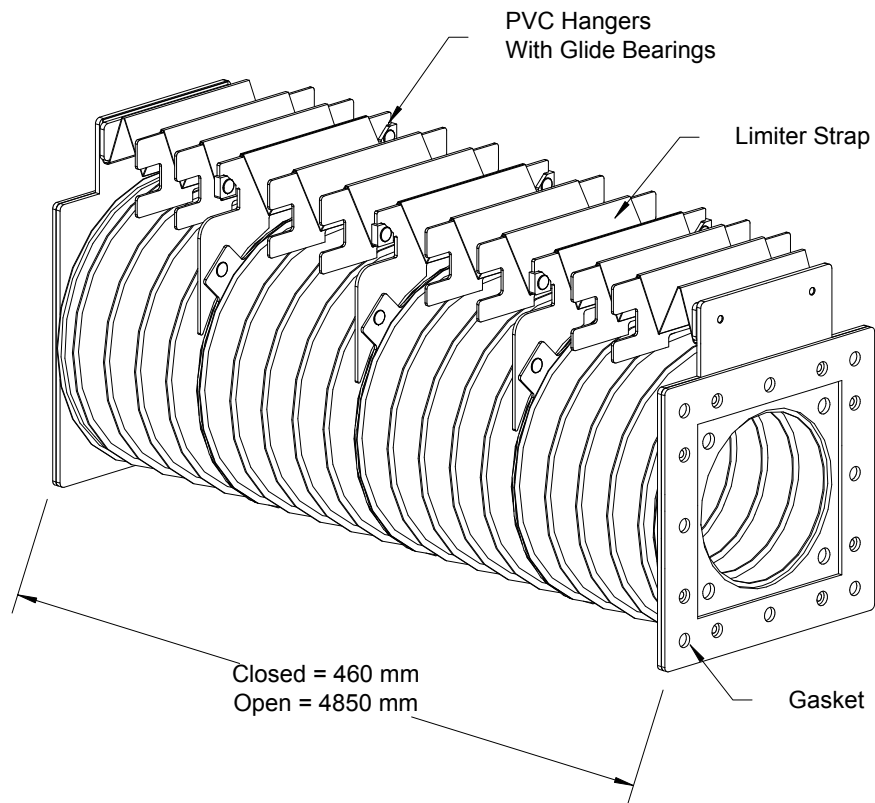



NO. RBT320/3040/L32BPX

SUPSDS.

QTY	PRODUCT	NEXT ASSY. DWG.	NO.	DESCRIPTION OF CHANGE	SCO	DATE	BY
				NEW ISSUE		07/26/19	DSE



Note: Dimensions are for identification purposes only and not for inspection.

TOLERANCES UNLESS OTHERWISE SPECIFIED				THIS DOCUMENT IS THE PROPERTY OF RICHARDSON ELECTRONICS, LTD. AND SHALL NOT BE COPIED, REPRODUCED, USED IN THE MANUFACTURE OR SALE OF APPARATUS OR DISCLOSED TO OTHERS WITHOUT PERMISSION.	
FRACTIONS $\pm 1/64$		DECIMALS: .X $\pm .1$.XXX $\pm .005$	
ANGLES $\pm 1/2^\circ$.XX $\pm .01$.XXXX $\pm .001$	
DO NOT SCALE DRAWING					
DRAWN	DSE	SCALE	NTS	 Richardson Electronics, Ltd. X BEAM PATH BELLOWS REPLACES TRUMPF P/N 1354091	
ENG. MGR.		ENG. CHKD.			
ENG. MGR.		PRODN. APPD.			
MAT'L					
MAT'L. SPEC. NO.					
FINISH		PROD.		NO.	REV.
			RBT320/3040/L32BPX		

