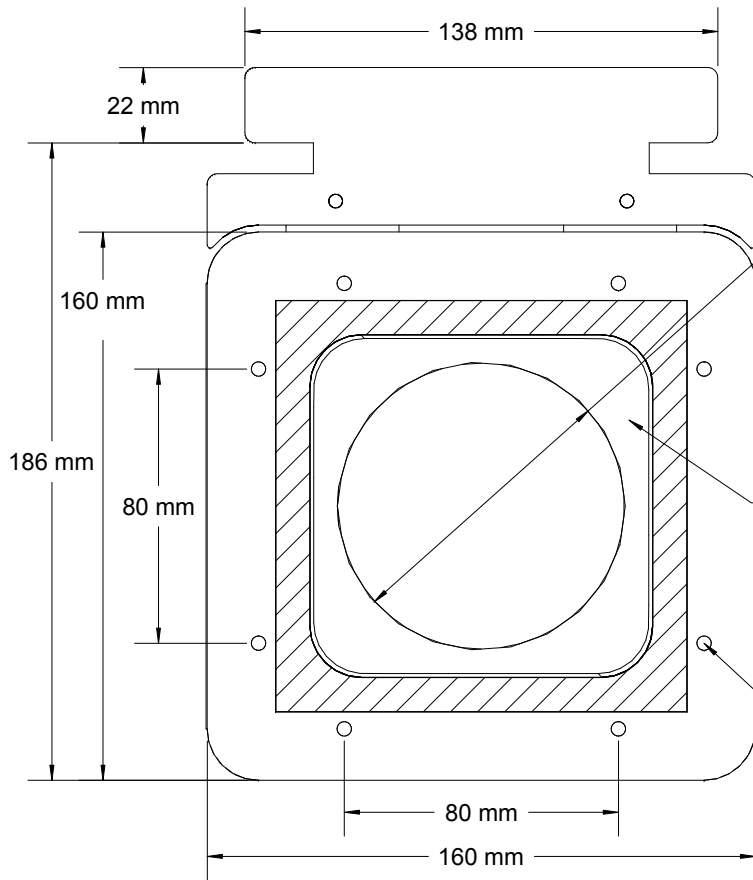


NO. RBT202L/45BPX
 SUPSDS.

QTY	PRODUCT	NEXT ASSY. DWG.	NO.	DESCRIPTION OF CHANGE	SCO	DATE	BY
			0	NEW ISSUE		03/01/19	DSE



Hanger Supports

Ø84 mm

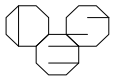
Gasket

Diaphragm

M5 Thread (x8)

Limiter Strap (Both Sides)

Closed Length = 350 mm
 Open Length = 4000 mm



TOLERANCES UNLESS OTHERWISE SPECIFIED FRACTIONS ±1/64 DECIMALS: .X ±.1 .XXX ±.005 ANGLES ±1/2° .XX ±.0XXX ±.001		THIS DOCUMENT IS THE PROPERTY OF RICHARDSON ELECTRONICS, LTD. AND SHALL NOT BE COPIED, REPRODUCED, USED IN THE MANUFACTURE OR SALE OF APPARATUS OR DISCLOSED TO OTHERS WITHOUT PERMISSION.	
DO NOT SCALE DRAWING		Richardson Electronics, Ltd.	
DRAWN	DSE	SCALE	NTS
ENG. MGR.		ENG. CHKD.	
ENG. MGR.		PRODN. APPD.	
MAT'L			
MAT'L. SPEC. NO.		NO. RBT202L/45BPX	
FINISH		PROD.	
		REV. 0	

**X - BEAM PATH BELLOWS
 REPLACES TRUMPF
 P/N 1222576**