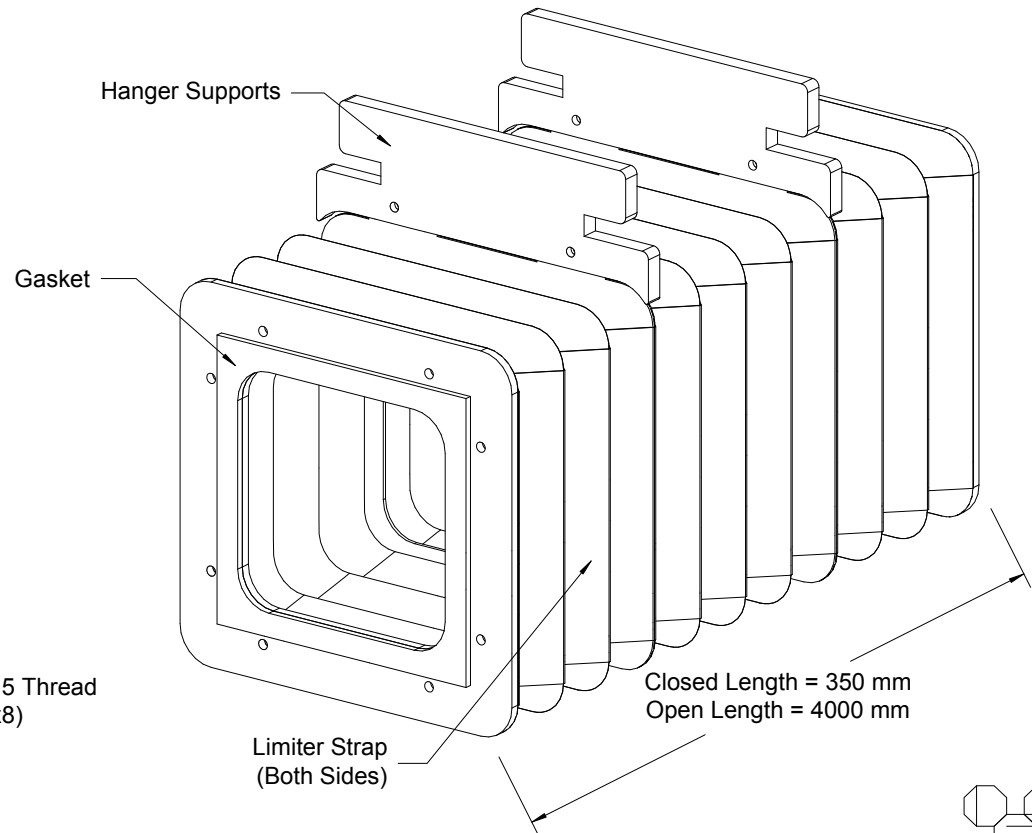
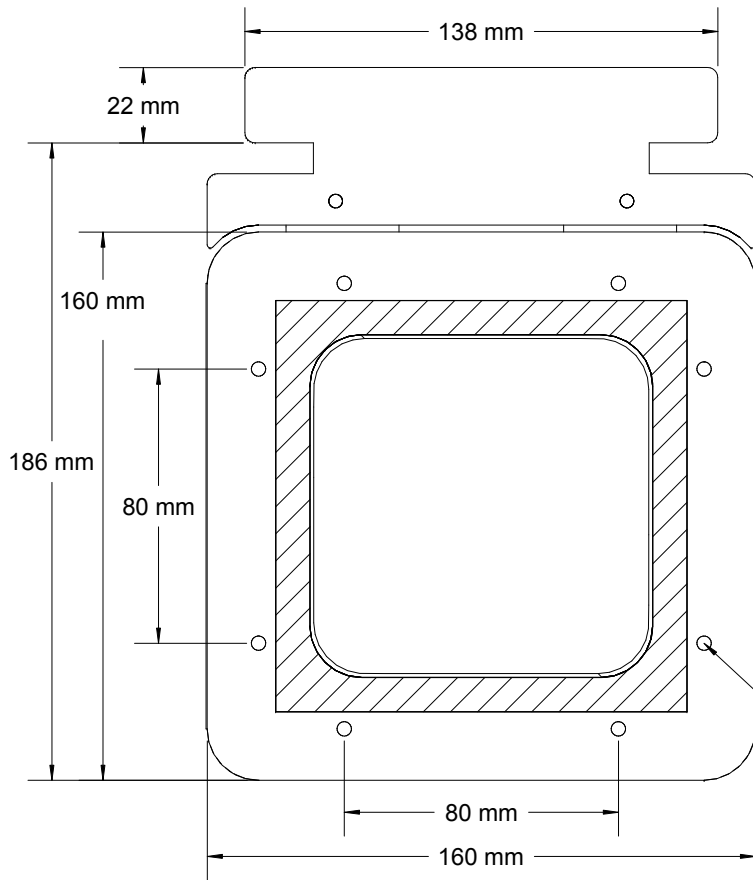
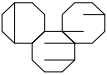


NO.	RBT105L/30BX
SUPSDS.	

QTY	PRODUCT	NEXT ASSY. DWG.	NO.	DESCRIPTION OF CHANGE	SCO	DATE	BY
			0	NEW ISSUE		01/15/19	DSE



<p>TOLERANCES UNLESS OTHERWISE SPECIFIED          FRACTIONS <math>\pm 1/64</math>      DECIMALS: <math>.X \pm .1</math>    <math>.XXX \pm .005</math>          ANGLES <math>\pm 1/2^\circ</math>                      <math>.XX \pm .0XXXX \pm .001</math></p>		<p>THIS DOCUMENT IS THE PROPERTY OF RICHARDSON ELECTRONICS, LTD. AND SHALL NOT BE COPIED, REPRODUCED, USED IN THE MANUFACTURE OR SALE OF APPARATUS OR DISCLOSED TO OTHERS WITHOUT PERMISSION.</p>	
DO NOT SCALE DRAWING		 Richardson Electronics, Ltd.	
DRAWN	DSE	SCALE	NTS
ENG. MGR.		ENG. CHKD.	
ENG. MGR.		PRODN. APPD.	
MAT'L			
MAT'L. SPEC. NO. FINISH		NO. RBT105L/30BX      REV. 0	
PROD.			